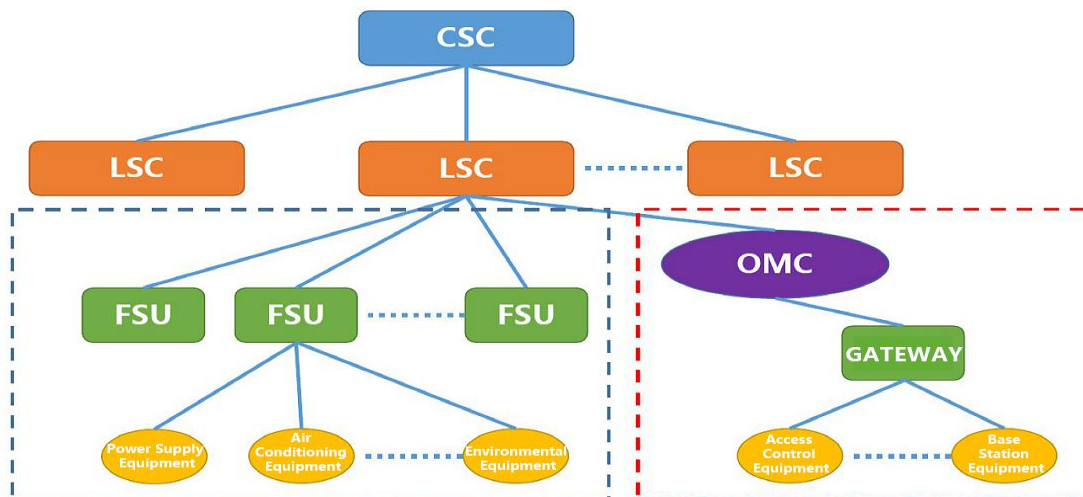


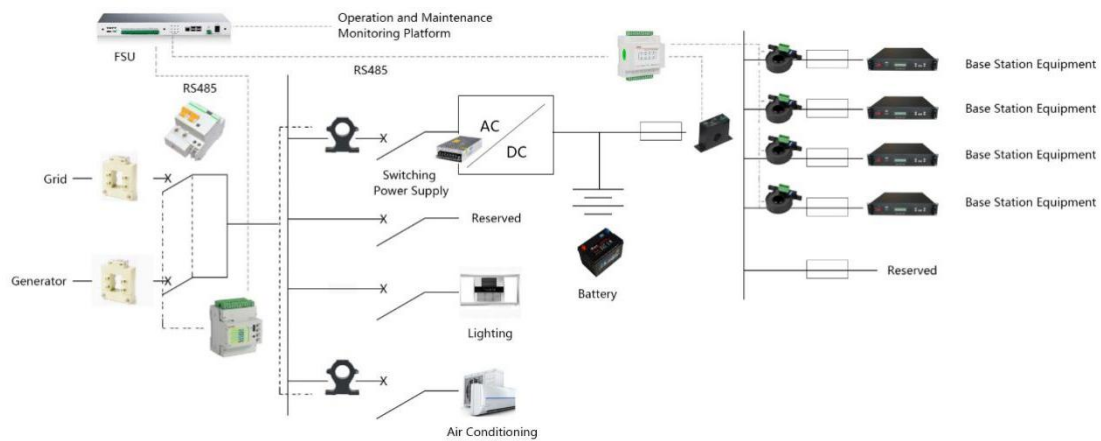
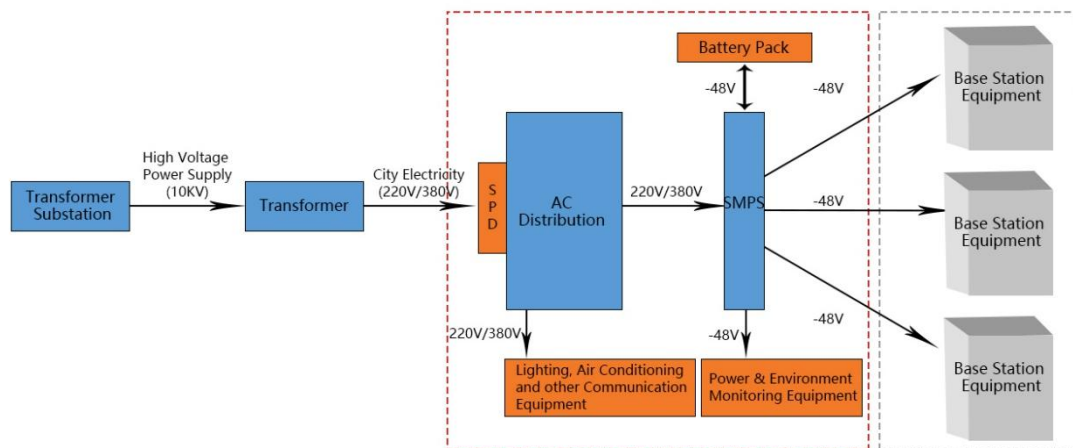
Energy consumption monitoring solution for Base station

Application

It is necessary to measure and monitor electrical parameters and measure energy in AC side of tower base station such as state grid,diesel,air conditioner lighting,power supply and so on. In DC side,it is necessary to monitor electrical parameters and measure energy such as base station communication device,battery and other devices working under -48V power supply.The data can be real-time uploaded by RS485.

Structure





Main Functions

- 1.Measurement: Multi circuits voltage, current, power, energy and other electrical parameters.
- 2.Communication: RS485 Modbus-RTU,NB or 4G
- 3.Certificate: With CE and IEC
- 4.Accuracy: 0.5s or 1

Product selection

AMC96L-E4/KC Multifunction Meter

- True RMS Measurements
- THD with 2-31st Harmonics
- Max/Min Log with Timestamp
- Internal Optional 4DI&2DO or 2DI & 2DO & 2AO
- Standard one Energy Pulse Output



AMC96N-4E3 Multi Circuits AC Energy Meter

- Installation: panel mounted
- 4 circuits 3 phase or 12 circuits single phase AC input, external CTs,50/60HZ
- Measurement: voltage, current, energy and other parameters.
- Communication:RS485 Modbus RTU



ADW210 Series Multi-Loop Power Meter

- Measure Up to 4 circuit 3 phase
- Measure all electric parameters
- Split core open loop CTs
- External function module, such as MK (switching inputs and outputs), MTL (temperature measurement and leakage current measurement), AWT100 (wireless communication)





AMC16-DETT Base Station DC Energy Meter

- DC rated voltage: 1 channel: -48VDC
- Accuracy: $1\%I_n \leq I \leq 10\%I_n$ error $\pm 2.5\%$;
 $I > 10\%I_n$ error $\pm 2\%$
- RS485(MODBUS-RTU)
- LED display
- DIN 35 mm

ADW350 Wireless Energy Meter

- DIN 35 mm
- 3 circuits DC input or 1 circuit 3 phase AC input
- Measurement: voltage, current, power, energy and other parameters
- Communication: NB or 4G



AHKC-E Hall sensor

Measurement
AC, DC, pulse and other complex current

About Acrel



Acrel Co., Ltd.[stock code: 300286.sz] is founded in 2003, a high-tech enterprise integrates R&D, production, sales and service, since its establishment, it committed to provide users with energy efficiency management and power security system solutions. Acrel Electric has a complete production line from cloud platform software to sensors. Until now, more than 10,000 sets of various solutions are running all over the country.

Workshop



Contact

Jiangsu Acrel Electrical Manufacturing Co., LTD.

No.5 Dongmeng Road, Nanzha Street, Jiangyin City, Jiangsu Province, China.

Tel:0086 0510--86179966

Fax:0086 0510--86179975

Email:sales01@email.acrel.cn

Mobile Phone: 0086 18860990013

Whatsapp: 0086 18860990013

Skype: sales01@email.acrel.cn