

# BA SERIES AC CURRENT SENSOR



## TECHNICAL PARAMETERS

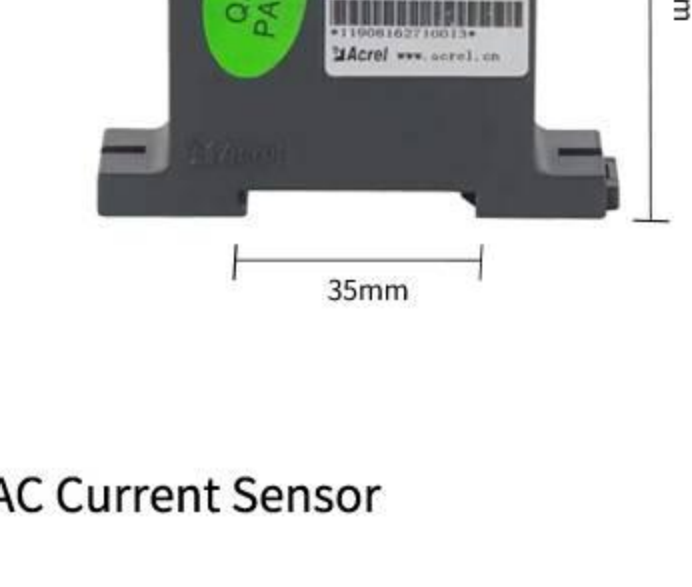
<b>In put</b>	AI—Alternating current
<b>Out put</b>	I—DC V—DC voltage
<b>Measuring aperture</b>	05-Φ5 10-Φ10 20-Φ20 50-Φ50
<b>Installation</b>	TS35 guide rail, or use screws to fix the cabinet

## SIZE

### BA05-AI AC Current Sensor



### BA10-AI AC Current Sensor



### BA20-AI AC Current Sensor



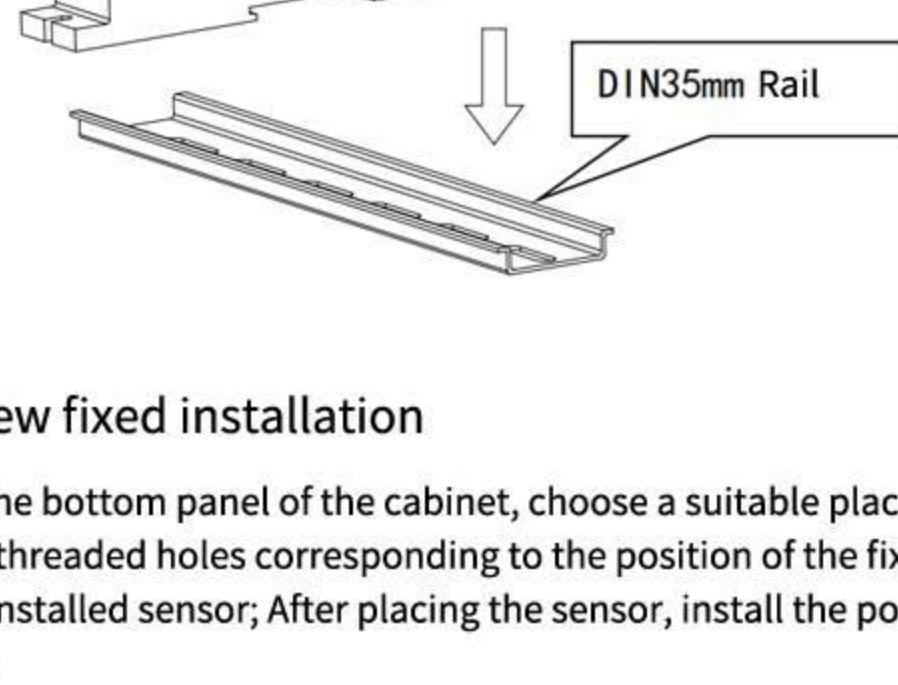
### BA50-AI AC Current Sensor



## INSTALLATION DIAGRAM

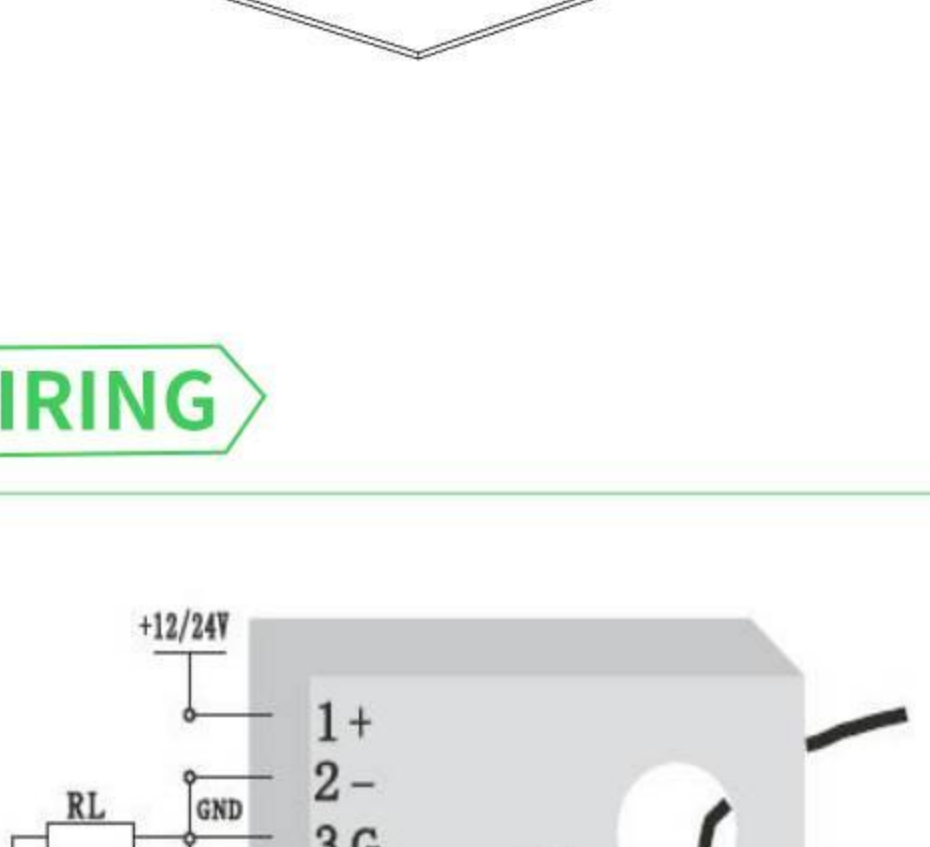
### Din Rail installation

Choose a suitable place to install the standard DIN35mm rail, and install the BA sensor on the rail;

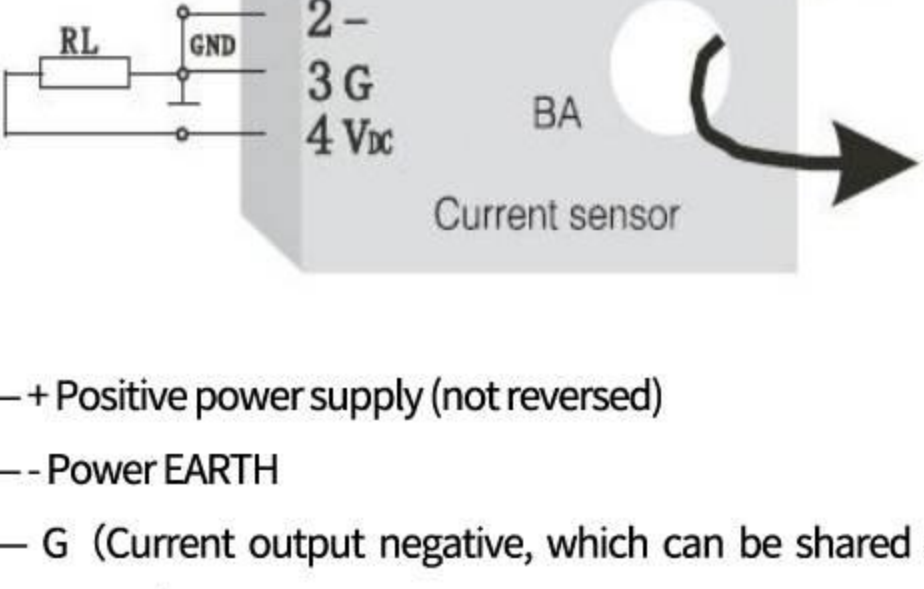


### Screw fixed installation

On the bottom panel of the cabinet, choose a suitable place to open two threaded holes corresponding to the position of the fixed hole of the installed sensor; After placing the sensor, install the positioning screw



## WIRING



- 1 — + Positive power supply (not reversed)
- 2 — - Power EARTH
- 3 — G (Current output negative, which can be shared with the power supply)
- 4 — IDC(Current output positive), VDC(Voltage output positive)

## APPLICATION



Petrochemical



Ferrous Metallurgy



Cement building



Rail

## ABOUT ACREL



Acrel Co., Ltd. is a high-tech enterprise which concentrates on research, production, sales and services. It mainly provides systemic solutions of energy efficiency management and electrical safety for users. Acrel has equipped with the complete production lines from cloud platform software to sensors. Until now, it has more than 8000 sets systemic solutions used in China to help users realizing energy visual management ,supplying energy data services and improving electrical efficiency and safety.

## PRODUCTION WORKSHOP

