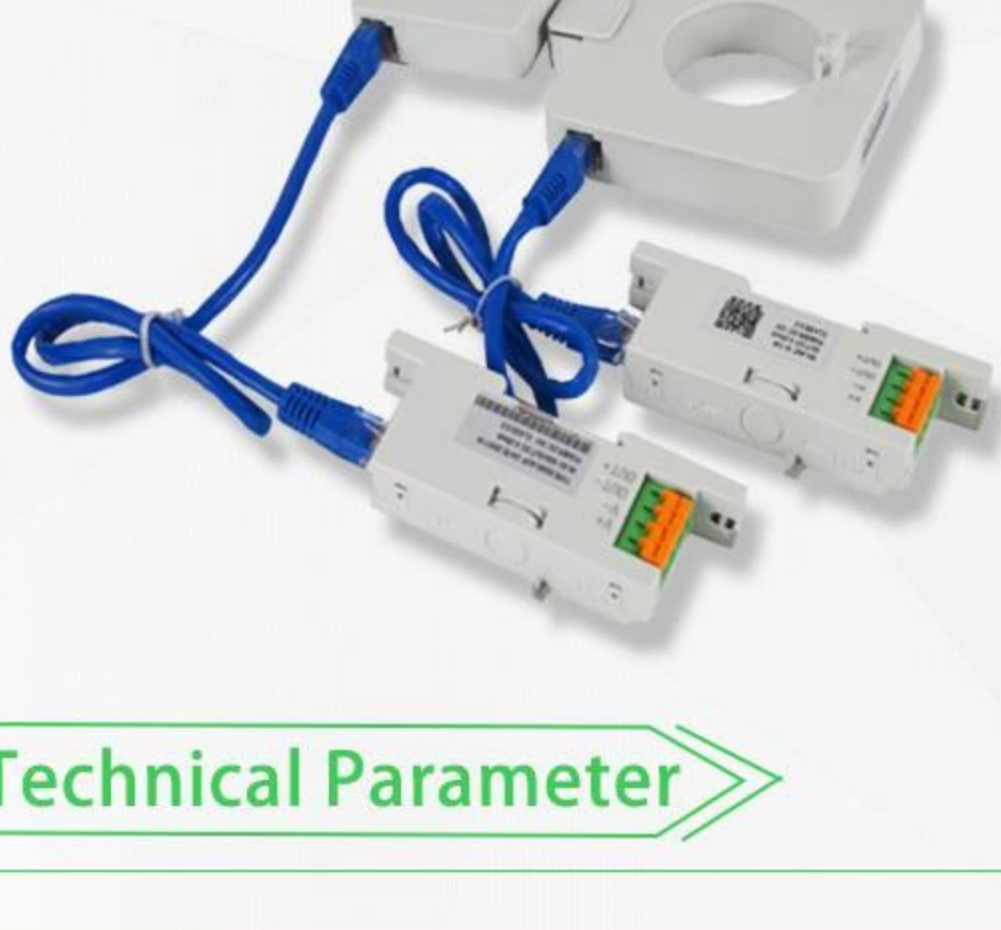


BA Series Intelligent Current Sensor

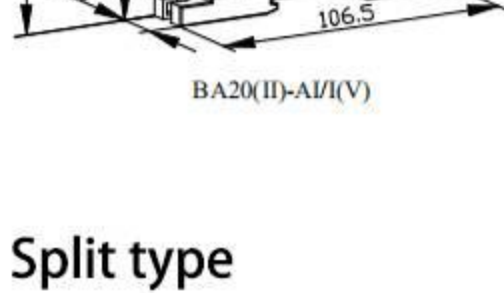


Technical Parameter

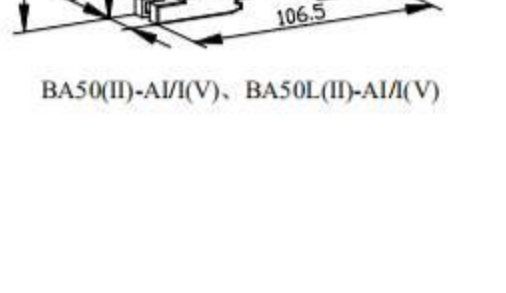
Input	AI-- AC Single Phase
Output	I-- Direct Current e.g. DC4- 20m A V-- Direct Current Voltage e.g. DC0- 5V
Power Supply	DC 12V or 24V
Communication Protocol	MODBUS-RTU②/RS485 INTERFACE
Hole Size	20-- Φ 20 50, 50L-- Φ 50

Dimension

Integrated type

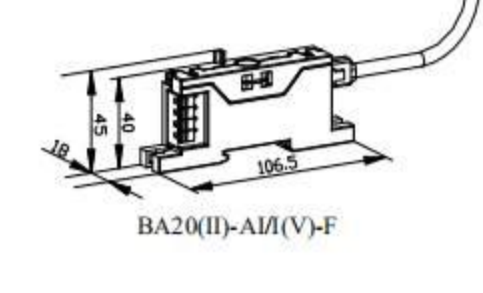


BA20(II)-AI/I(V)

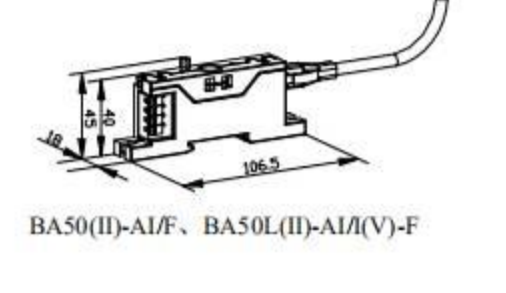


BA50(II)-AI/I(V), BA50L(II)-AI/I(V)

Split type



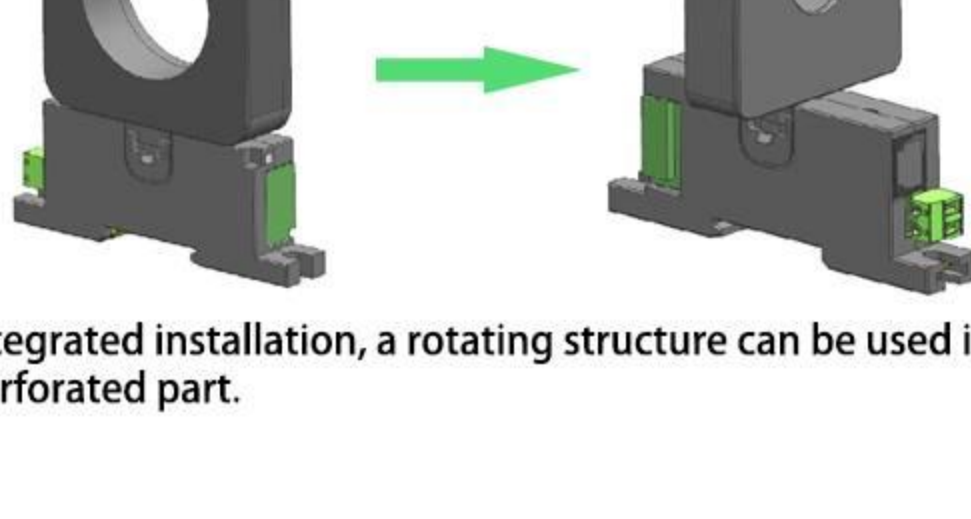
BA20(II)-AI/I(V)-F



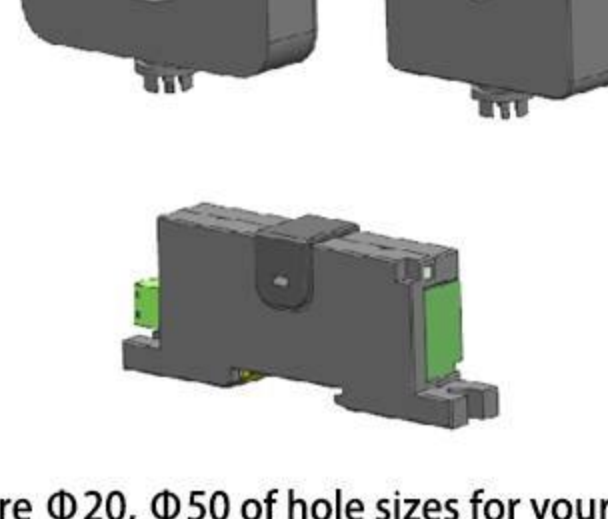
BA50(II)-AI/I(V)-F, BA50L(II)-AI/I(V)-F

Installation Diagram

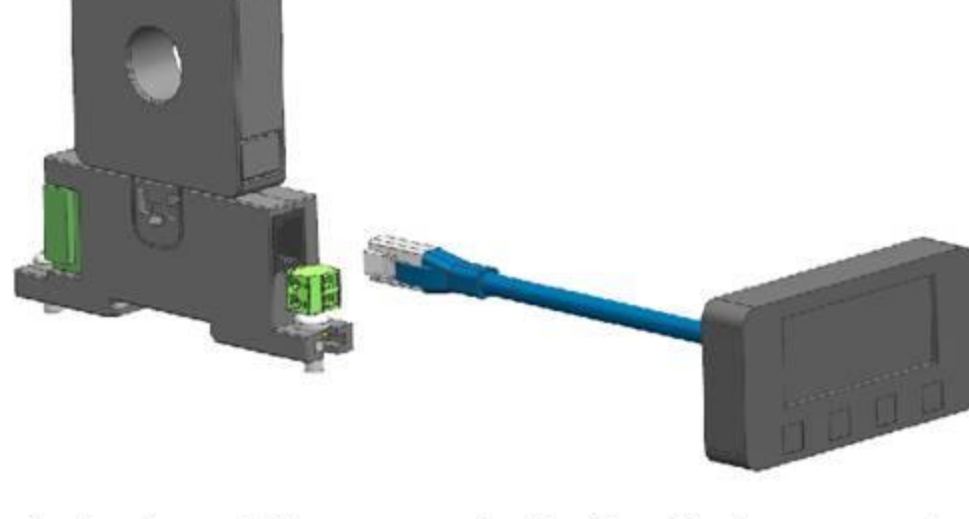
Integrated installation



Integrated installation, a rotating structure can be used in the perforated part.

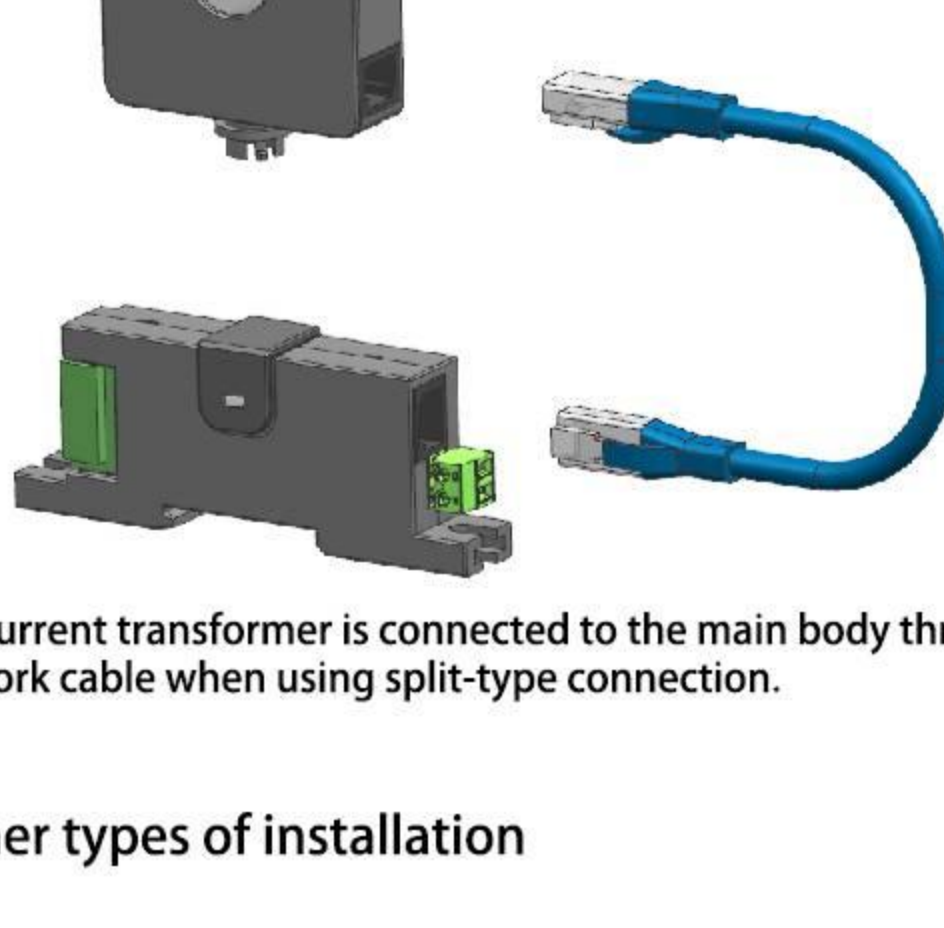


There are Φ20, Φ50 of hole sizes for your selection.



The main body could be connected to the display screen in order to display current and set parameters when integrated installation (use existing display screen as far as possible)

Split-type installation



The current transformer is connected to the main body through network cable when using split-type connection.

Other types of installation



TS3 din-rail mounting, or fix it on the cabinet with screws

Application



Petrochemical industry



Iron and steel metallurgy



Cement building



Rail traffic

About Acrel



Acrel Electric Co., Ltd.(stock code: 300286) was established in 2003, integrates research & development, production, sales and service. It is a high-tech joint-stock enterprise providing energy efficiency management and electricity safety solutions for enterprise micro grid. Acrel Electric Co., Ltd. has a product ecosystem ranging from cloud platform software to terminal components. Currently, it has more than 10,000 sets of system solutions running all over the world.

Production Workshop

