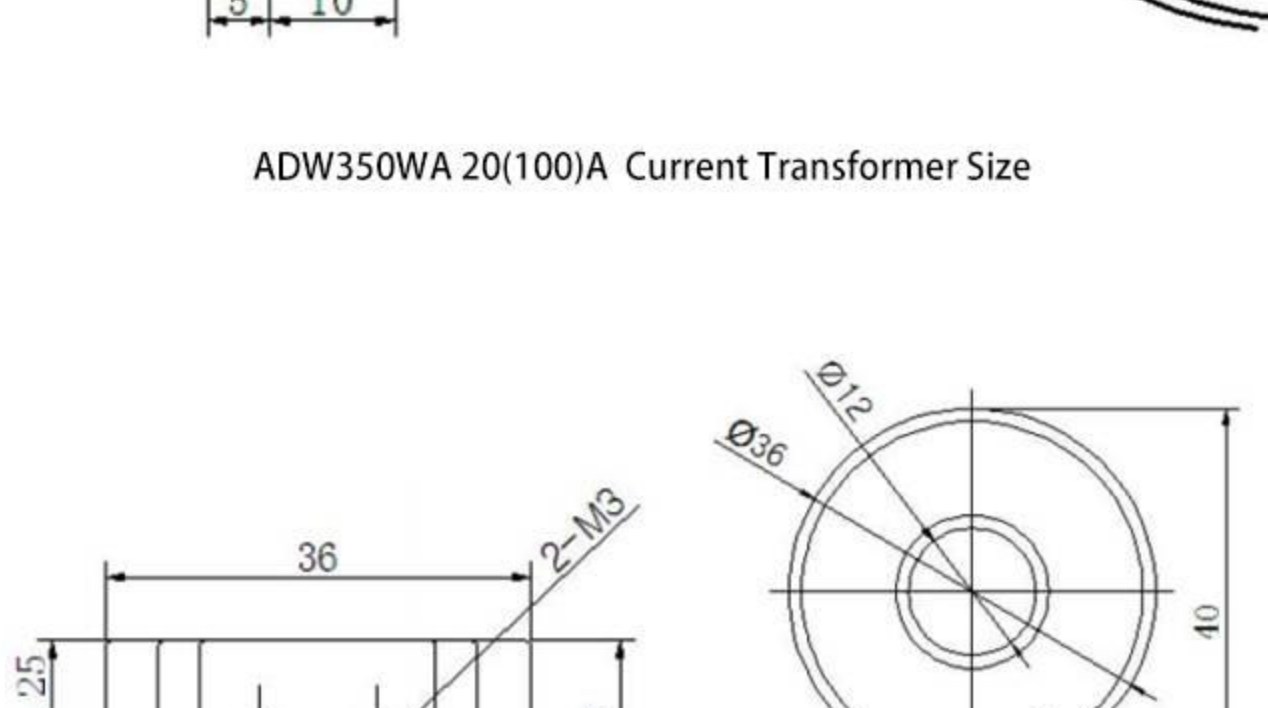


ADW350 Wireless Three Phase Energy Meter

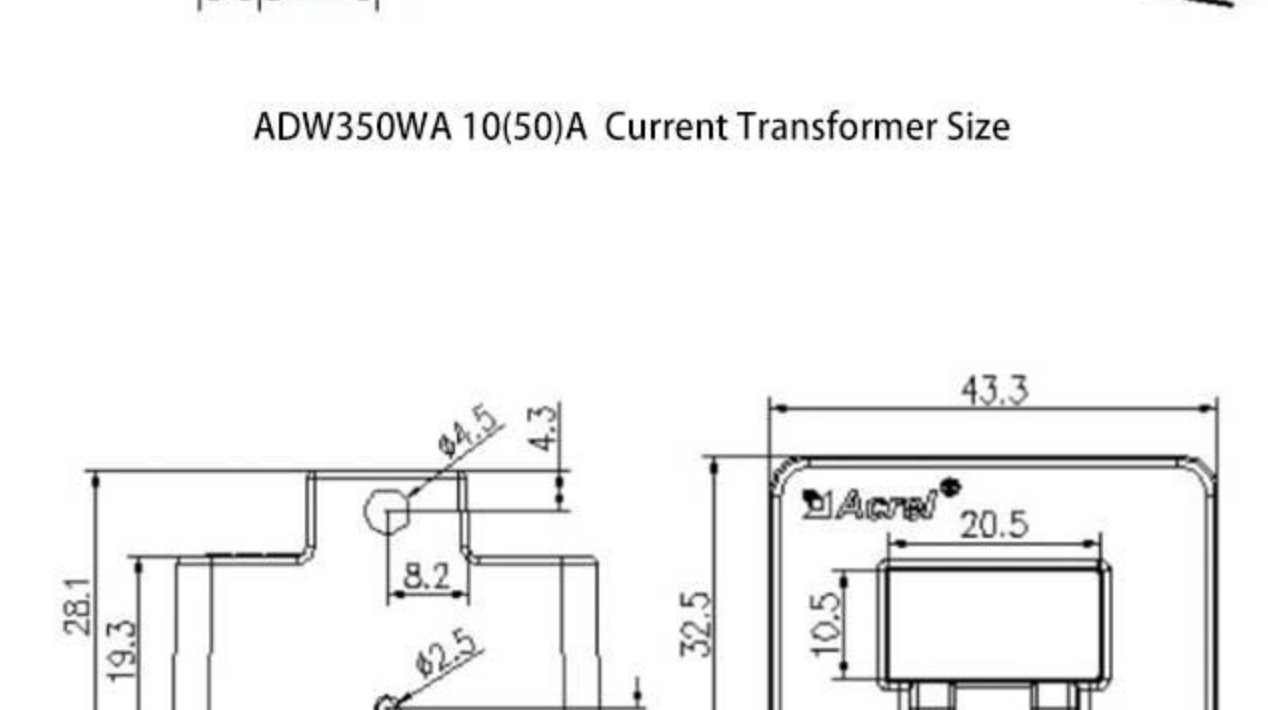


- 3-Way DO control, Control Branch Switch Remotely
- 2-Way Temperature Measurement
- 2G、4G、NB Communication
- Full Electrical Parameter Measurement, Alarm, etc.
- 35 MM Din Rail Installation

Dimension



ADW350WA 20(100)A Current Transformer Size

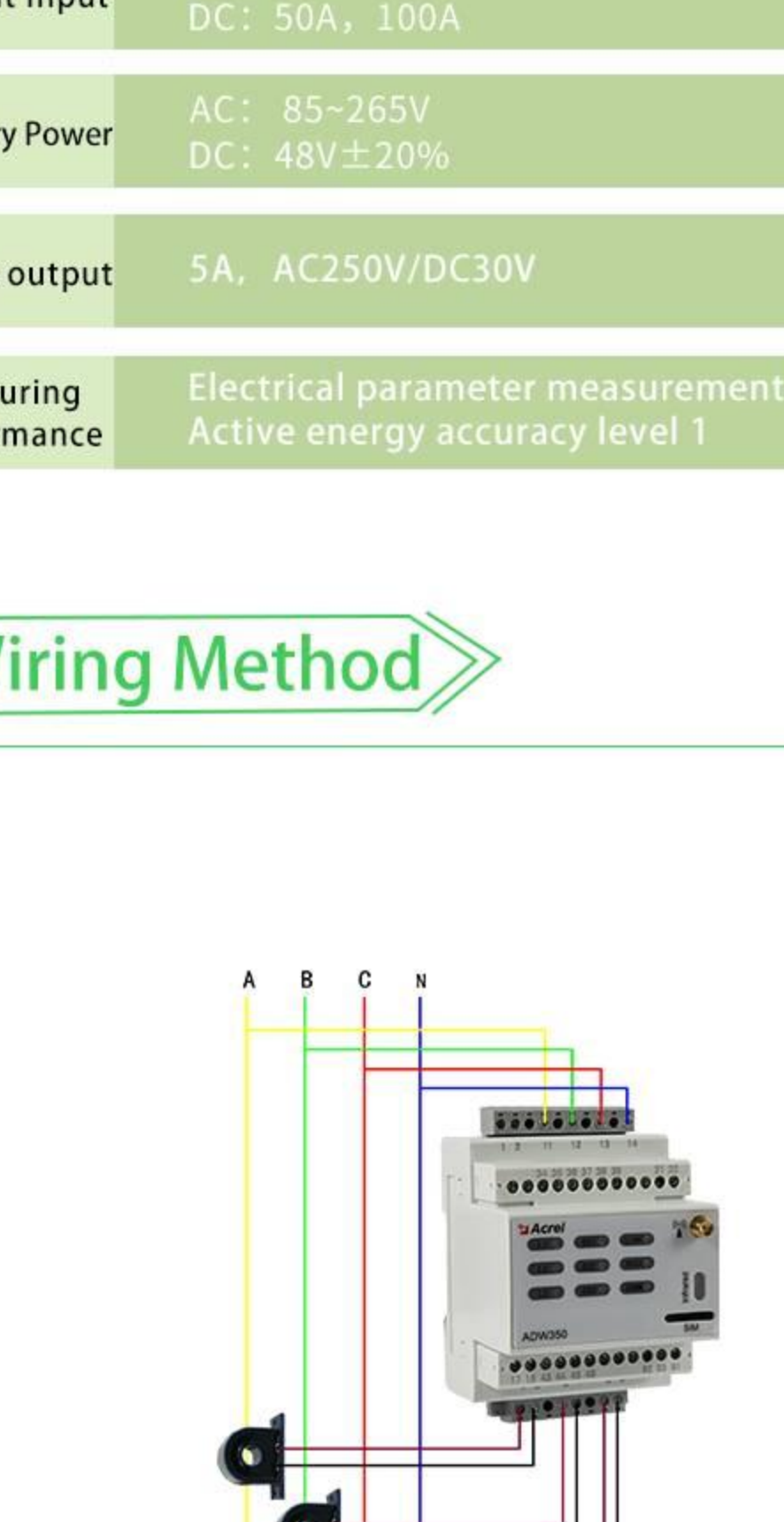


ADW350WA 10(50)A Current Transformer Size



ADW350WD Hall Sensor AHKC-BS Size

Tech Parameter



Voltage Input	AC: 3×57.7/100V, 3×220/380V DC: 48V
---------------	--

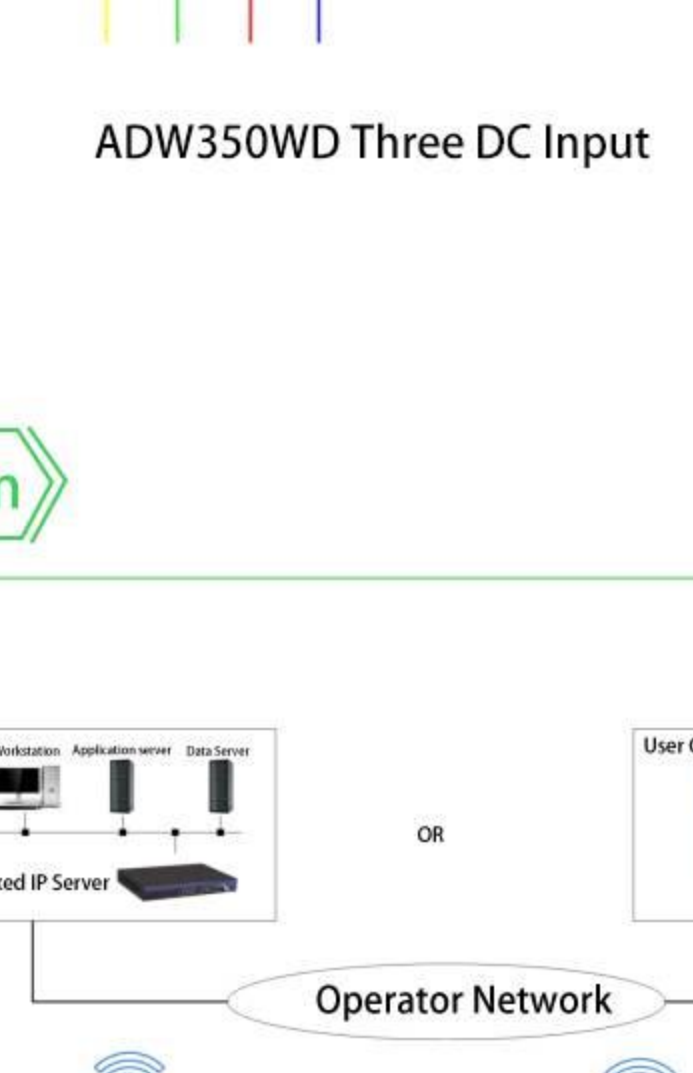
Current Input	AC: 3×20(100)A DC: 50A, 100A
---------------	---------------------------------

Auxiliary Power	AC: 85~265V DC: 48V±20%
-----------------	----------------------------

Switch output	5A, AC250V/DC30V
---------------	------------------

Measuring performance	Electrical parameter measurement 0.5 level Active energy accuracy level 1
-----------------------	--

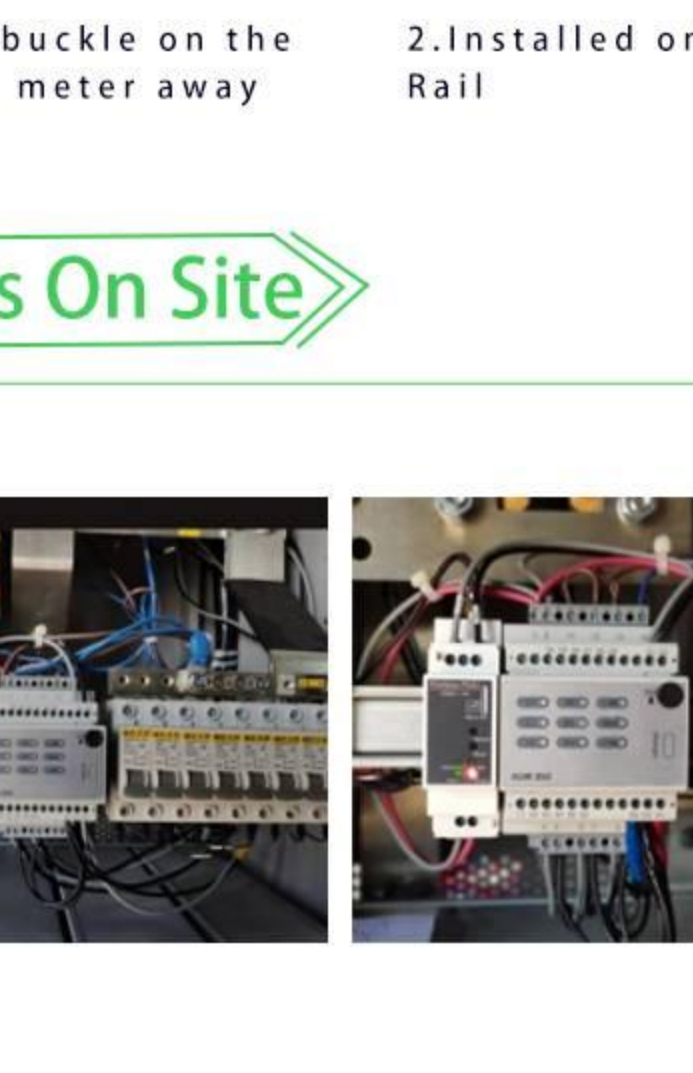
Wiring Method



ADW350WA Three Phase Four Wires

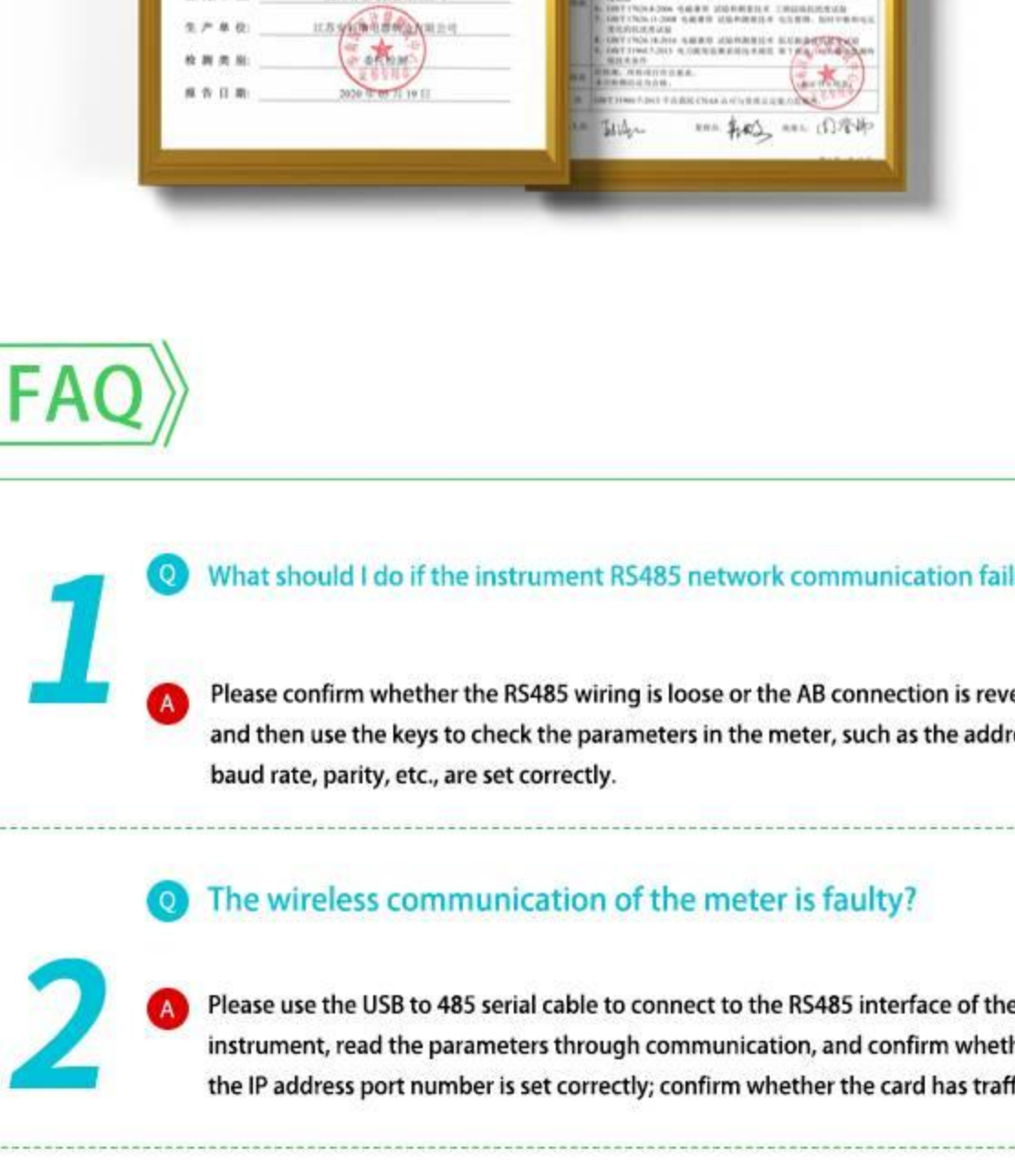


ADW350WA Three Phase Three Wires



ADW350WD Three DC Input

Diagram



Installation



Photos On Site



Certificate



FAQ

- Q What should I do if the instrument RS485 network communication fails?

A Please confirm whether the RS485 wiring is loose or the AB connection is reversed, and then use the keys to check the parameters in the meter, such as the address, baud rate, parity, etc., are set correctly.
- Q The wireless communication of the meter is faulty?

A Please use the USB to 485 serial cable to connect to the RS485 interface of the instrument, read the parameters through communication, and confirm whether the IP address port number is set correctly; confirm whether the card has traffic
- Q What are the means of 3×57.7/100V, 3×220/380V, 3×380/660V, 3×100V, 3×380V, 3×660V?

A 3*100V, 3*57.7/100V are used for high voltage, used in conjunction with voltage transformers, where 3*100V represents three-phase three-wire, 3*57.7V/100V represents three-phase four-wire; 3*380V, 3*220V/380V, 3×660V, 3×380/660V used for low voltage, direct voltage input, where 3*380V, 3×660V represent three-phase three-wire, 3*220V/380V, 3×380/660V represents three-phase four-wire.

Application

OPERATION AND MAINTENANCE SUPERVISION POWER MONITORING

ABOUT ACREL

Acrel Electric Co., Ltd. (stock code: 300286) was established in 2003, integrating R&D, production, sales and service. It is a high-tech joint-stock enterprise that provides energy efficiency management and power safety solutions for corporate microgrids. Acrel Electric Co., Ltd. has a product ecosystem ranging from cloud platform software to terminal components. At present, there are more than 10,000 system solutions running all over the country.

PRODUCING WORKSHOP

